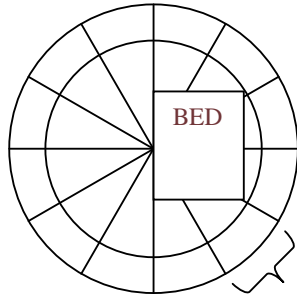


Plan & Elevation of Centrepole Tent # 1

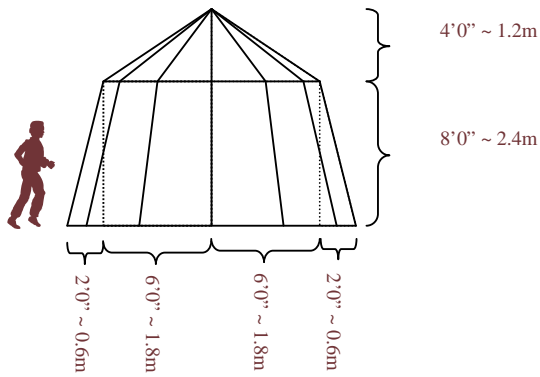
Scale 1 inch:10 feet (1:144)

Plan



Internal section 3'2" ~ 0.95m;
External section 4'3" ~ 1.25m

Elevation



Notes

$$\pi = 3.142$$

Radius @ shoulder = 6'0" ~ 1.8m

Radius @ ground = 8'0" ~ 2.4m

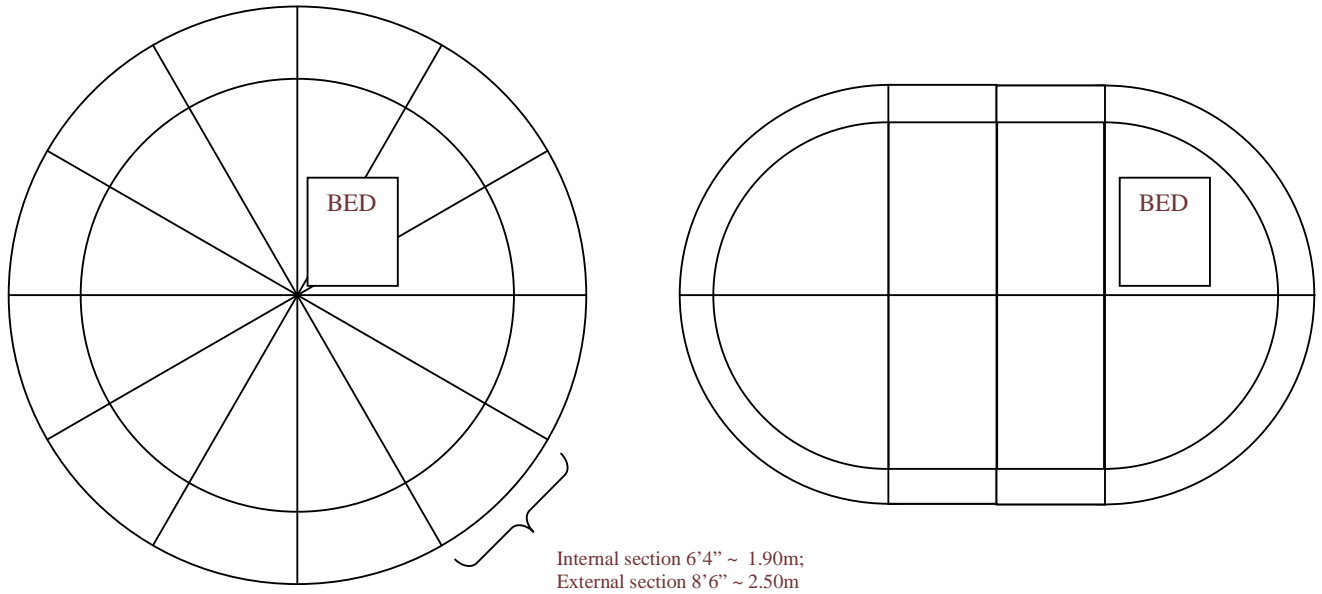
Height @ shoulder = 8'0" ~ 2.4m

Height @ pole = 12'0" ~ 3.6m

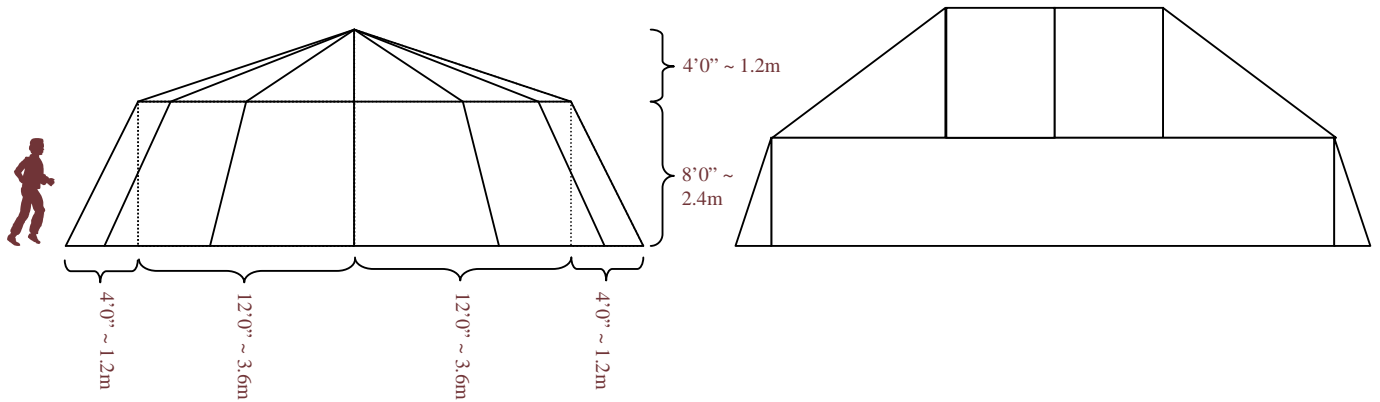
Plan & Elevation of Centrepole Tent # 2, 5-Sectioned Bell Wedge Tent # 2A

Scale 1 inch:10 feet (1:144)

Plan



Elevation

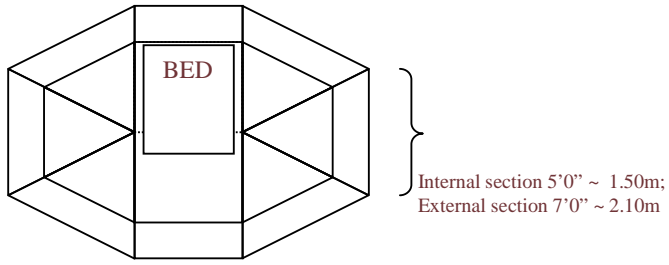


Notes

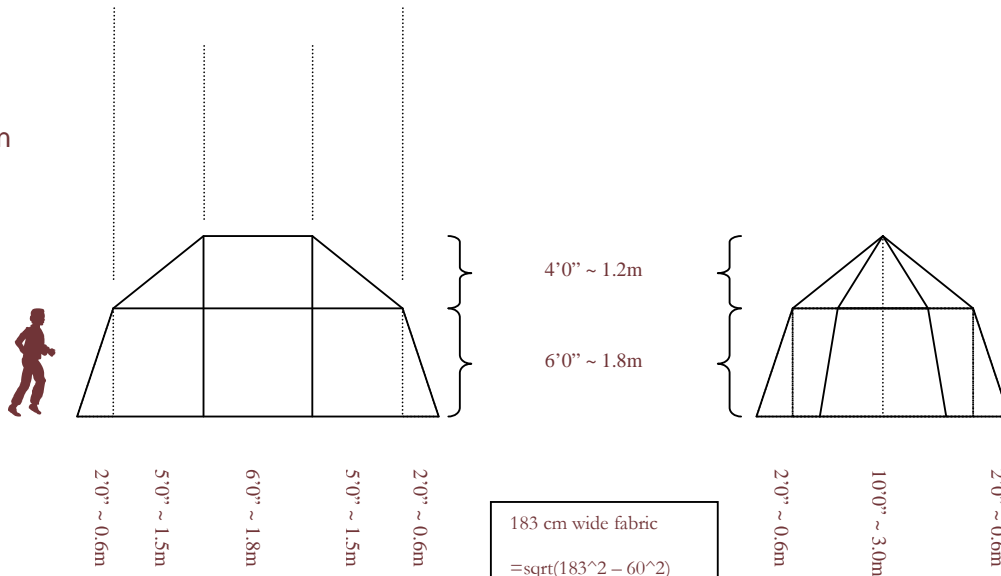
- $\pi = 3.142$
- Radius @ shoulder = 12'0" ~ 3.6m
- Radius @ ground = 14'0" ~ 4.2m
- Height @ shoulder = 8'0" ~ 2.4m
- Height @ pole = 12'0" ~ 3.6m

Plan & Elevation of Saint Sebastian Bell Wedge Tent # 3
 Scale 1 inch:10 feet (1:144)

Plan



Elevation



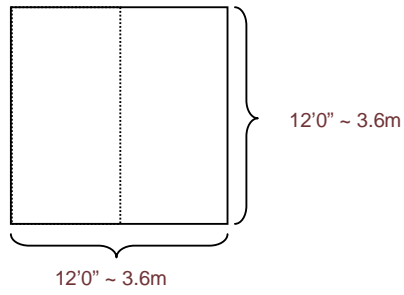
183 cm wide fabric
 $=\sqrt{183^2 - 60^2}$
 $=173$
 $\sim 5'8" + \sim 4'$

Notes

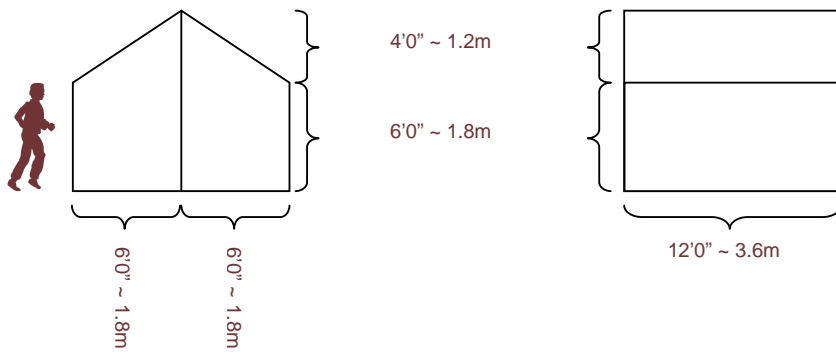
- $\pi = 3.142$
- Length @ shoulder = 16'0" ~ 4.8m
- Width @ shoulder = 10'0" ~ 3.0m
- Length @ ground = 20'0" ~ 6.0m
- Width @ ground = 14'0" ~ 4.2m
- Height @ shoulder = 6'0" ~ 1.8m
- Height @ pole = 10'0" ~ 3.0m

Plan & Elevation of Saint Sebastian A-Frame (Kitchen) Tent # 4
 Scale 1 inch:10 feet (1:144)

Plan



Elevation

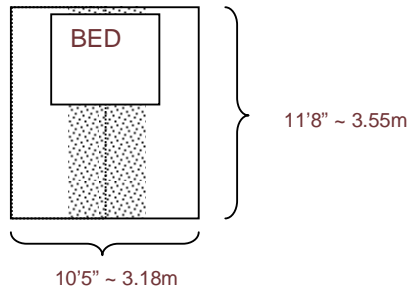


Notes

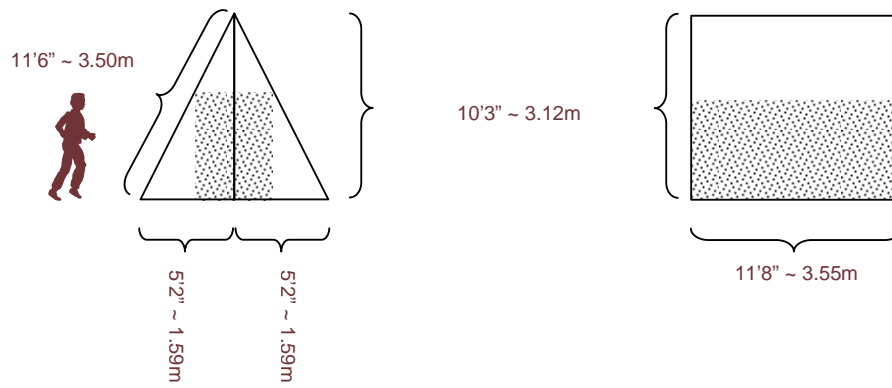
- $\pi = 3.142$
- Length @ shoulder = 12'0" ~ 3.6m
- Width @ shoulder = 12'0" ~ 3.6m
- Length @ ground = 12'0" ~ 3.6m
- Width @ ground = 12'0" ~ 3.6m
- Height @ shoulder = 6'0" ~ 1.8m
- Height @ pole = 10'0" ~ 3.0m

Plan & Elevation of Soldier Tent # 5
 Scale 1 inch:10 feet (1:144)

Plan



Elevation



Notes

$\pi = 3.142$

Usable area = 6' high (grey area) = 4'4" wide x 6' high x 11'8" long

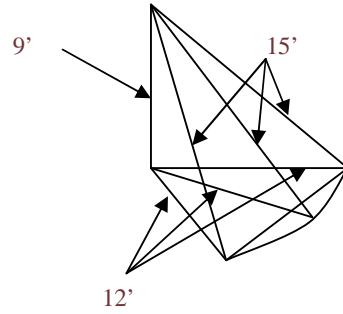
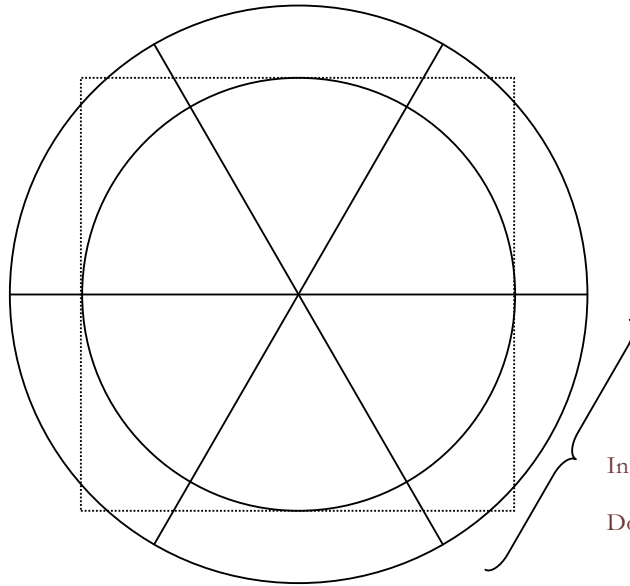
Subnotes

In the original calculations, half the length of the side wall = (sqrt of $12^2 + 4^2$) = 12'8"
 This piece of canvas was originally the roof of one of the larger tents – canvas recycling

Plan & Elevation of Saint Sebastian Communal Tent (Centrepole Tent #8)

Scale 1 inch:10 feet (1:144)

Plan



$$c = 2 \cdot \pi \cdot r = 24' \cdot \pi$$

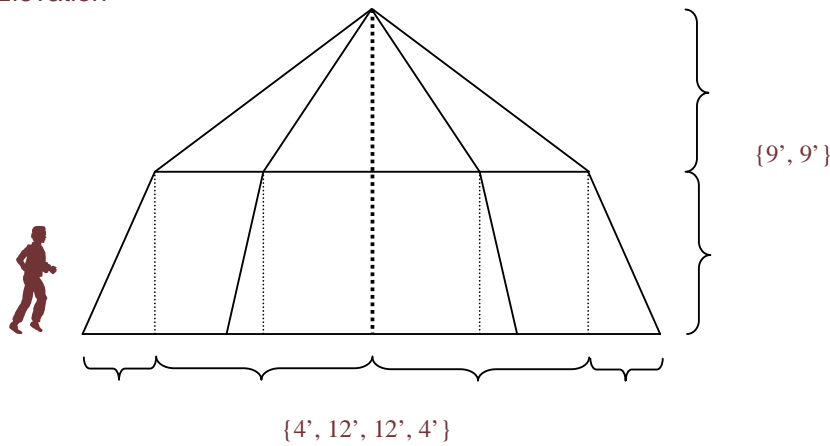
$$\Rightarrow \frac{1}{6} c = 4' \cdot \pi$$

$$\Rightarrow \sim 12'7''$$

Internal section 12', External section 16'

Dotted Square = 24' x 24' for comparison

Elevation



Notes

- Pi = 3.14159265
- Radius @ shoulder = 12'0" ~ 3.6m
- Radius @ ground = 16'0" ~ 4.9m
- Height @ shoulder = 9'0" ~ 2.7m
- Height @ pole = 18'0" ~ 5.4m

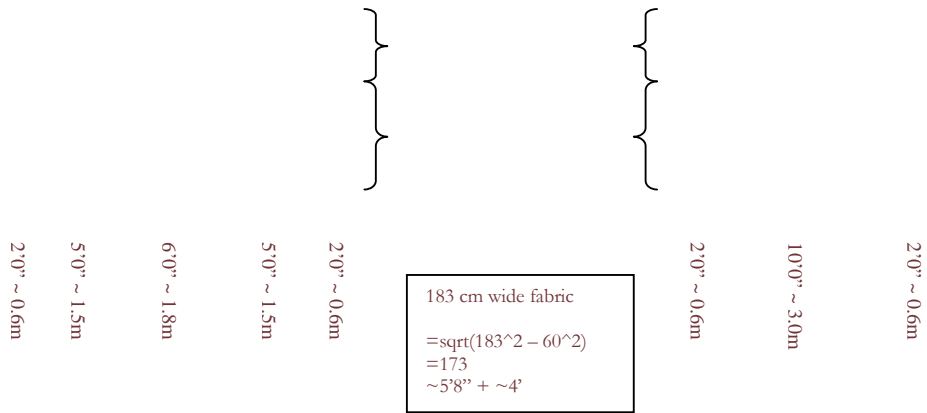
Estimated canvas 60m @ 6' wide in 12oz (roof), 30m @ 10' wide in 8-10oz (wall)

Plan & Elevation of Saint Sebastian Bell Wedge Tent #9
 Scale 1 inch:10 feet (1:144)

Plan



Elevation



Notes

- $\pi = 3.142$
- Length @ shoulder = 16'0" ~ 4.8m
- Width @ shoulder = 10'0" ~ 3.0m
- Length @ ground = 20'0" ~ 6.0m
- Width @ ground = 14'0" ~ 4.2m
- Height @ shoulder = 6'0" ~ 1.8m
- Height @ pole = 10'0" ~ 3.0m